

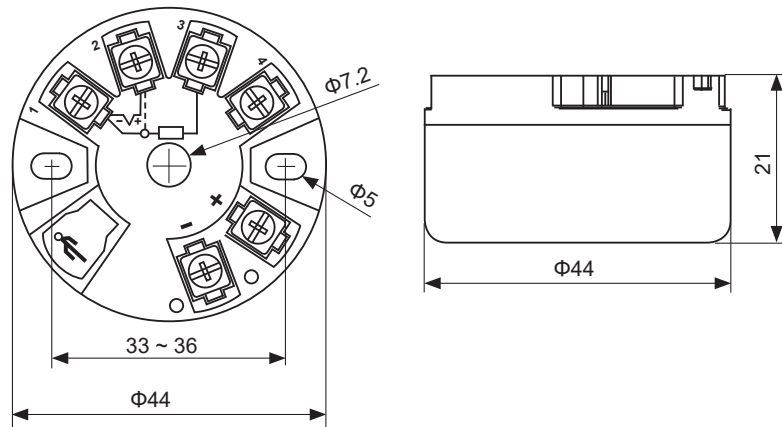


## Temperature Transmitter 温度变送器

- For the connection of RTD or thermocouple
- High accuracy
- Output 4 ... 20 mA
- Configurable ranges
- Input and output are isolated
- Compact and at a low price

- 输入热电阻和热电偶信号
- 高精度
- 输出 4 ... 20 mA
- 可配置量程范围
- 输入和输出隔离
- 小巧，价格低廉

### Drawing / 尺寸图



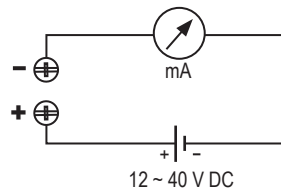
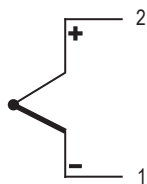
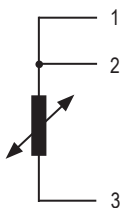
### Wiring diagram / 接线图

Input / 输入

Output / 输出

RTD / 热电阻

TC / 热电偶



Technical Specification / 技术规范		
Sensor element 测量元件	RTD (Pt100、Cu50)、Thermocouple (B、E、J、K、N、R、S、T) 热电阻 (Pt100、Cu50)、热电偶 (B、E、J、K、N、R、S、T)	
Max. configurable measuring range 最大配置测量范围	RTD: -200 ~ +850、TC: -200 ~ +1800	[ °C ]
Accuracy 精度	≤ 0,2	[ % ]
Error effect of cold junction 冷端补偿精度	± 1	[ °C ]
Cold junction compensation range 冷端补偿范围	-20 ... +60	[ °C ]
Output signal 输出信号	4 ... 20 mA, 2-wire	
Supply voltage U <sub>B</sub> 供电电压	12 ... 40	[ V DC ]
Response time 响应时间	Reach 90% of final value in 1 s 1 秒达到最终值的 90%	
Damping, configurable 阻尼, 可配置	Off ; configurable between 1 s and 4 s 关闭 ; 配置范围 1 至 4 秒	
Unit 单位	°C、°F、K	
Load R <sub>A</sub> 负载	$R_A \leq (U_B - 12 \text{ V}) / 0,02 \text{ A}$ with R <sub>A</sub> in Ω and U <sub>B</sub> in V	
Output limits (Lower limit) 输出限制 (下限)	3,8	[ mA ]
Output limits (Upper limit) 输出限制 (上限)	21	[ mA ]
Dielectric strength 绝缘强度	1500V AC; 1minute (between input and output ) 1500V AC; 1 分钟 ( 输入和输出之间 )	
Insulation resistance 绝缘电阻	≥100MΩ; 500V DC (between input and output) ≥100MΩ; 500V DC ( 输入和输出之间 )	
Temperature drift 温度漂移	≤ ± 0.01	[ % FS / K ]
Storage temperature 储存温度	-40 ... +100	[ °C ]
Ambient temperature 环境温度	-40 ... +80	[ °C ]
Relative humidity 相对湿度	10 ~90	[ % ]
Vibration 抗振动性	4 g, DIN EN 60068-2-6 at 2 .. 150 Hz	
Protection degree 防护等级	IP00	

# Series 9424 / 9424 系列

Temperature transmitter / 温度变送器

## Specification key / 规格代码

9424 -  -  -  -  -

Input / 输入	
P	Pt100 (-200 ... +850 °C)
C	Cu50 (-50 ... +150 °C)
B	Thermocouple, Type B ( 400 ... 1800 °C )
E	Thermocouple, Type B (-100 ... +1000 °C)
J	Thermocouple, Type B (-100 ... +1200 °C)
K	Thermocouple, Type B (-180 ... +1372 °C)
N	Thermocouple, Type B (-180 ... +1300 °C)
R	Thermocouple, Type B (-50 ... +1760 °C)
S	Thermocouple, Type B (-50 ... +1768 °C)
T	Thermocouple, Type B (-200 ... +400 °C)

Unit / 单位	
C	°C
F	°F
K	K

Damping / 阻尼	
W	0
1	1
2	2
3	3
4	4

End of measuring range / 测量范围终点	
*	enter value / 输入值

Start of measuring range / 测量范围起点	
*	enter value / 输入值

### Sample:

**9424-P-C-0-100-W**

Temperature transmitter  
Type: 9424  
Input element: Pt100  
Measuring range: 0 ... +100°C  
Damping: without

### 举例:

**9424-P-C-0-100-W**

温度变送器  
型号: 9424  
测量元件: Pt100  
测量范围: 0 ... 100°C  
阻尼: 无