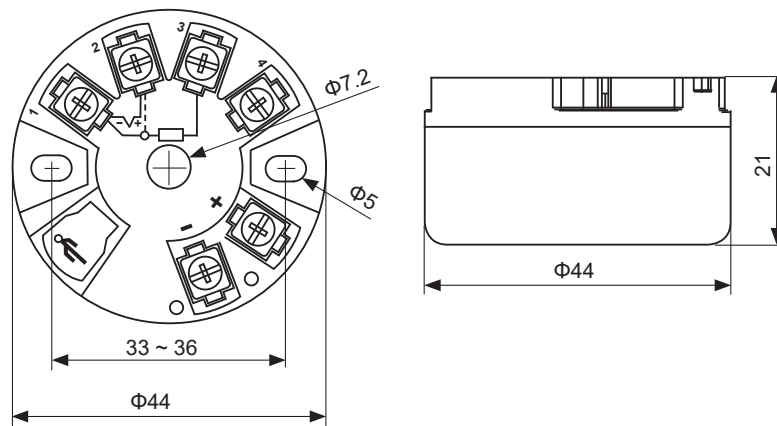




Temperature Transmitter 温度变送器

- For the connection of RTD or thermocouple
 - High accuracy
 - Output 4 ... 20 mA + HART
 - Configurable ranges
 - Input and output are isolated
 - Compact and at a low price
- 输入热电阻和热电偶信号
 - 高精度
 - 输出 4 ... 20 mA + HART
 - 可配置量程范围
 - 输入和输出隔离
 - 小巧，价格低廉

Drawing / 尺寸图



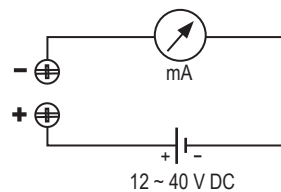
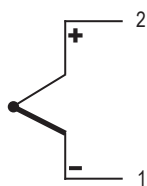
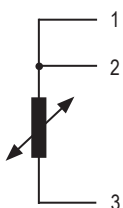
Wiring diagram / 接线图

Input / 输入

Output / 输出

RTD / 热电阻

TC / 热电偶



Technical Specification / 技术规范		
Sensor element 测量元件	RTD (Pt100、Cu50)、Thermocouple (B、E、J、K、N、R、S、T) 热电阻 (Pt100、Cu50)、热电偶 (B、E、J、K、N、R、S、T)	
Max. configurable measuring range 最大配置测量范围	RTD: -200 ~ +850、TC: -200 ~ +1800	[°C]
Accuracy 精度	≤ 0,2	[%]
Error effect of cold junction 冷端补偿精度	± 1	[°C]
Cold junction compensation range 冷端补偿范围	-20 ... +60	[°C]
Output signal 输出信号	4 ... 20 mA + HART, 2-wire	
Supply voltage U _B 供电电压	12 ... 40	[V DC]
Response time 响应时间	Reach 90% of final value in 1 s 1 秒达到最终值的 90%	
Damping, configurable 阻尼, 可配置	Off ; configurable between 1 s and 4 s 关闭 ; 配置范围 1 至 4 秒	
Unit 单位	°C、°F、K	
Load R _A 负载	$R_A \leq (U_B - 12 \text{ V}) / 0,02 \text{ A}$ with R _A in Ω and U _B in V	
Output limits (Lower limit) 输出限制 (下限)	3,8	[mA]
Output limits (Upper limit) 输出限制 (上限)	21	[mA]
Dielectric strength 绝缘强度	1500V AC; 1minute (between input and output) 1500V AC; 1 分钟 (输入和输出之间)	
Insulation resistance 绝缘电阻	≥100MΩ; 500V DC (between input and output) ≥100MΩ; 500V DC (输入和输出之间)	
Temperature drift 温度漂移	≤ ± 0.01	[% FS / K]
Storage temperature 储存温度	-40 ... +100	[°C]
Ambient temperature 环境温度	-40 ... +80	[°C]
Relative humidity 相对湿度	10 ~90	[%]
Vibration 抗振动性	4 g, DIN EN 60068-2-6 at 2 .. 150 Hz	
Protection degree 防护等级	IP00	

Series 9425 / 9425 系列

Temperature transmitter / 温度变送器

Specification key / 规格代码

9425 - - - - -

Input / 输入	
P	Pt100 (-200 ... +850 °C)
C	Cu50 (-50 ... +150 °C)
B	Thermocouple, Type B (400 ... 1800 °C)
E	Thermocouple, Type B (-100 ... +1000 °C)
J	Thermocouple, Type B (-100 ... +1200 °C)
K	Thermocouple, Type B (-180 ... +1372 °C)
N	Thermocouple, Type B (-180 ... +1300 °C)
R	Thermocouple, Type B (-50 ... +1760 °C)
S	Thermocouple, Type B (-50 ... +1768 °C)
T	Thermocouple, Type B (-200 ... +400 °C)

Unit / 单位	
C	°C
F	°F
K	K

Damping / 阻尼	
W	0
1	1
2	2
3	3
4	4

End of measuring range / 测量范围终点	
*	enter value / 输入值

Start of measuring range / 测量范围起点	
*	enter value / 输入值

Sample:

9425-P-C-0-100-W

Temperature transmitter
Type: 9424
Input element: Pt100
Measuring range: 0 ... +100°C
Damping: without

举例:

9425-P-C-0-100-W

温度变送器
型号: 9424
测量元件: Pt100
测量范围: 0 ... 100°C
阻尼: 无